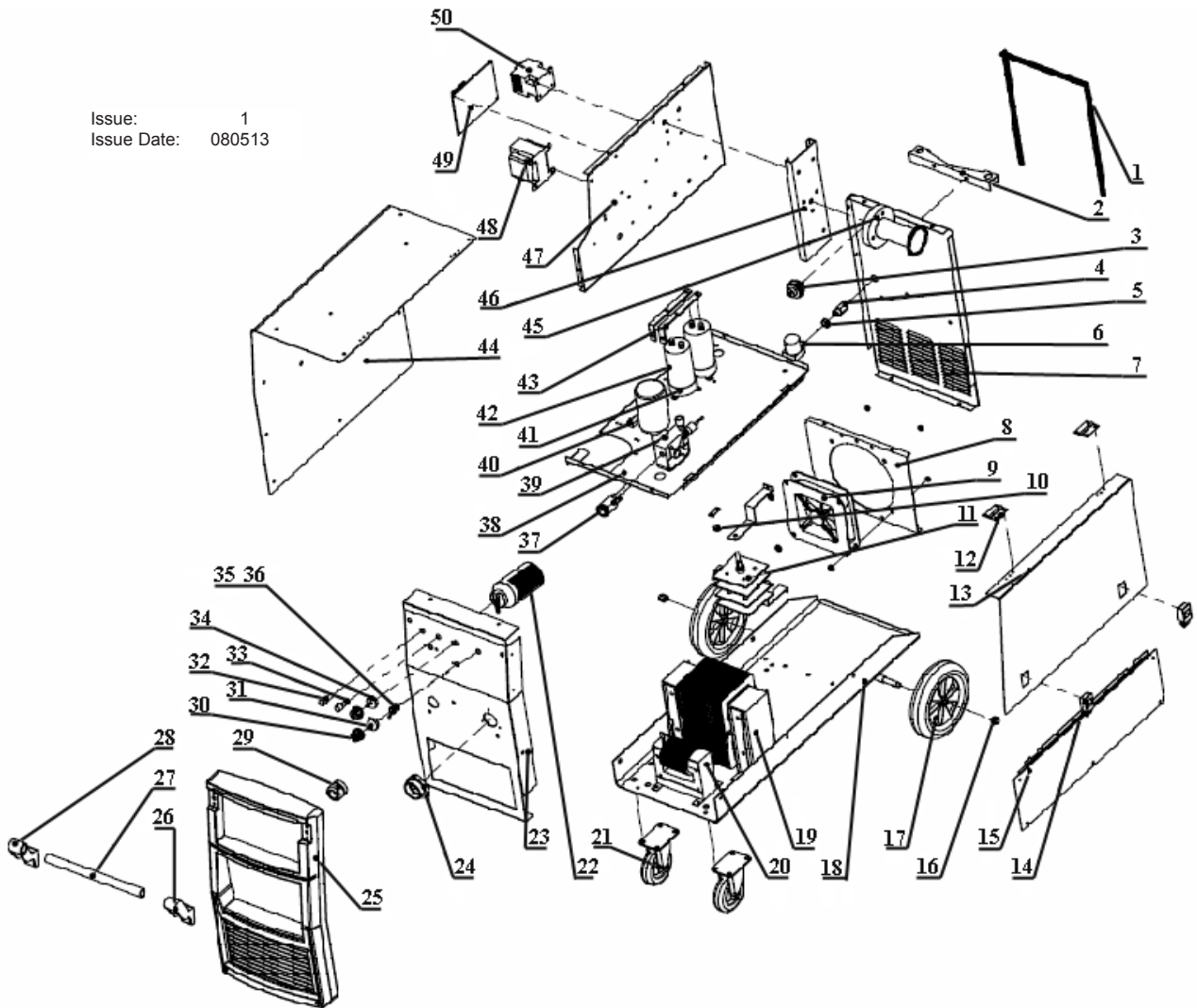


Issue: 1  
 Issue Date: 080513



| ITEM | PART NO    | DESCRIPTION                 | ITEM | PART NO    | DESCRIPTION              | ITEM | PART NO    | DESCRIPTION   |
|------|------------|-----------------------------|------|------------|--------------------------|------|------------|---|
| 1    | SMIG275.01 | CHAIN                       | 18   | SMIG255.18 | BOTTOM PANEL *           | 35   | SMIG275.35 | TOGGLE SWITCH   |
| 2    | SMIG275.02 | CYLINDER SUPPORT            | 19   | SMIG275.18 | BOTTOM PANEL **          | 36   | SMIG275.36 | GRIP  |
| 3    | SMIG275.03 | CABLE GLAND                 | 20   | SMIG255.19 | TRANSFORMER *            | 37   | SMIG275.37 | COPPER HEAD FOR QUICK SOCKET                          |
| 4    | SMIG275.04 | GAS CONNECTOR               | 21   | SMIG275.19 | TRANSFORMER **           | 38   | SMIG275.38 | MIDDLE PANEL 'A'                                      |
| 5    | SMIG275.05 | COPPER NUT                  | 22   | SMIG255.20 | REACTANCE *              | 39   | SMIG275.39 | DRIVE MOTOR   |
| 6    | SMIG275.06 | ELECTRO-VALVE               | 23   | SMIG275.20 | REACTANCE **             | 40   | SMIG275.40 | RESISTOR  |
| 7    | SMIG275.07 | REAR PANEL                  | 24   | SMIG275.21 | CASTOR WHEEL             | 41   | SMIG275.41 | CLAMP FOR CAPACITOR                                   |
| 8    | SMIG255.08 | FAN MOUNTING PANEL *        | 25   | SMIG255.22 | SWITCH *                 | 42   | SMIG255.42 | CAPACITOR **  |
| 9    | SMIG275.08 | FAN MOUNTING PANEL **       | 26   | SMIG275.22 | SWITCH **                | 43   | SMIG275.42 | CAPACITOR **  |
| 10   | SMIG255.09 | FAN *                       | 27   | SMIG255.23 | FRONT PANEL *            | 44   | SMIG275.43 | CONNECT BAR   |
| 11   | SMIG275.09 | FAN **                      | 28   | SMIG275.23 | FRONT PANEL **           | 45   | SMIG275.44 | SIDE PANEL, LEFT                                      |
| 12   | SMIG255.10 | RUBBER SUPPORT *            | 29   | SMIG275.24 | TORCH HOLDER             | 46   | SMIG275.45 | SPOOL HOLDER  |
| 13   | SMIG275.10 | RUBBER SUPPORT **           | 30   | SMIG275.25 | FRONT FRAME              | 47   | SMIG275.46 | SPOOL HOLDER SUPPORT                                  |
| 14   | SMIG255.11 | RECTIFIER (SINGLE PHASE) *  | 31   | SMIG275.26 | HANDLE SUPPORT, RIGHT    | 48   | SMIG255.47 | MIDDLE PANEL 'B' *                                    |
| 15   | SMIG275.11 | RECTIFIER (SINGLE PHASE) ** | 32   | SMIG275.27 | HANDLE                   | 49   | SMIG275.47 | MIDDLE PANEL 'B' **                                   |
| 16   | SMIG275.12 | PLASTIC HINGE               | 33   | SMIG275.28 | HANDLE SUPPORT, LEFT     | 50   | SMIG275.48 | CONTROL TRANSFORMER                                   |
| 17   | SMIG275.13 | UPPER SIDE PANEL, RIGHT     | 34   | SMIG275.29 | QUICK SOCKET 'EU TYPE'   |      | SMIG255.48 | MIG TORCH 3mtr EURO CONNECTOR BINZEL TB15 (not shown) |
| 18   | SMIG275.14 | DOOR LOCK                   |      | 35         | POTENTIOMETER KNOB       |      |            | MIG TORCH 3mtr EURO CONNECTOR BINZEL TB25 (not shown) |
| 19   | SMIG255.15 | LOWER SIDE PANEL, RIGHT *   |      | 36         | POTENTIOMETER            |      |            |   |
| 20   | SMIG275.15 | LOWER SIDE PANEL, RIGHT **  |      | 37         | INDICATOR LIGHT (GREEN)  |      |            |   |
| 21   | SMIG275.16 | NUT                         |      | 38         | INDICATOR LIGHT (YELLOW) |      |            |   |
| 22   | SMIG275.17 | WHEEL                       |      | 39         | POTENTIOMETER            |      |            |   |

Parts marked '\*' only for SUPERMIG255  
 Parts marked '\*\*' only for SUPERMIG275

**NOTE:** It is our policy to continually improve products and as such we reserve the right to alter data, specifications and component parts without prior notice.

**IMPORTANT:** No liability is accepted for incorrect use of product.

**WARRANTY:** Guarantee is 12 months from purchase date, proof of which will be required for any claim.

**INFORMATION:** For a copy of our latest catalogue and promotions call us on 01284 757525 and leave your full name and address, including postcode.