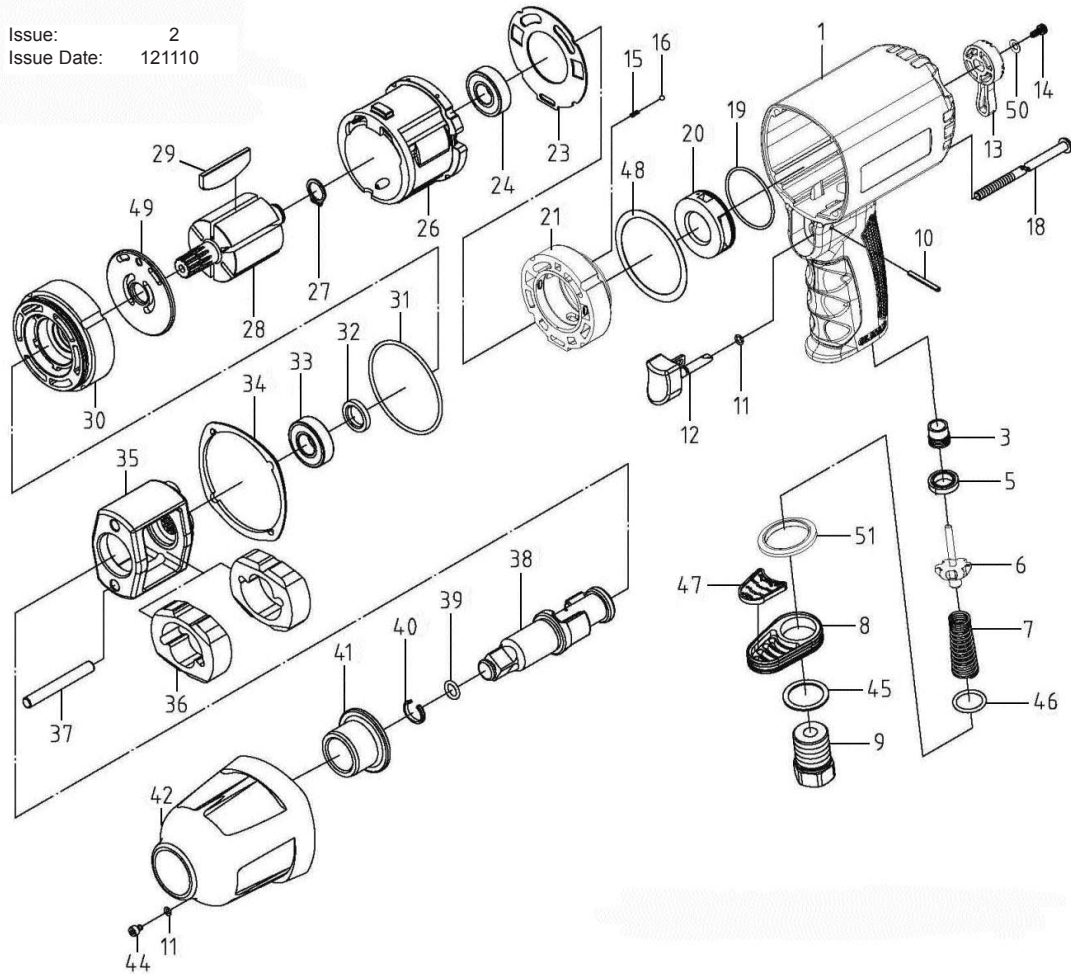


Issue: 2
 Issue Date: 121110



ITEM	PART NO	DESCRIPTION	ITEM	PART NO	DESCRIPTION
1	GSA6002.01A	HOUSING ASS'Y	29	GSA6002.29	ROTOR BLADE
3	GSA6002.03A	SEAL ASS'Y	30	GSA6002.30	FRONT END PLATE
5	GSA6002.05	VALVE SEAT	31	GSA6002.31	O-RING
6	GSA6002.06A	VALVE ASS'Y	32	GSA6002.32	OIL SEAL
7	GSA6002.07	VALVE SPRING	33	GSA6002.33	BEARING
8	GSA6002.08	EXHAUST DEFLECTOR	34	GSA6002.34	GASKET
9	GSA6002.09	AIR INLET	35	GSA6002.35	HAMMER CAGE
10	GSA6002.10	SPRING PIN	36	GSA6002.36	HAMMER DOG
11	GSA6002.11	O-RING	37	GSA6002.37	HAMMER PIN
12	GSA6002.12	TRIGGER	38	GSA6002.38	ANVIL
13	GSA6002.13	REVERSE SWITCH	39	GSA6002.39	O-RING
14	GSA6002.14	SCREW	40	GSA6002.40	RETAINER
15	GSA6002.15	SPRING	41	GSA6002.41	ANVIL BUSHING
16	GSA6002.16	STEEL BALL	42	GSA6002.42A	HAMMER CASE ASS'Y
18	GSA6002.18	CAP SCREW	44	GSA6002.44	SCREW
19	GSA6002.19	O-RING	45	GSA6002.45	WASHER
20	GSA6002.20	REGULATOR	46	GSA6002.46	O-RING
21	GSA6002.21A	BUSHING ASS'Y	47	GSA6002.47	MUFFLER COVER
23	GSA6002.23	GASKET	48	GSA6002.48	GASKET
24	GSA6002.24	BEARING	49	GSA6002.49	WASHER
26	GSA6002.26A	CYLINDER ASS'Y	50	GSA6002.50	WASHER
27	GSA6002.27	RETAINING RING	51	GSA6002.51	WASHER
28	GSA6002.28	ROTOR			

NOTE: It is our policy to continually improve products and as such we reserve the right to alter data, specifications and component parts without prior notice.

IMPORTANT: No liability is accepted for incorrect use of product.

WARRANTY: Guarantee is 12 months from purchase date, proof of which will be required for any claim.

INFORMATION: For a copy of our latest catalogue and promotions call us on 01284 757525 and leave your full name and address, including postcode.